

HOFMANN®



monty 1620

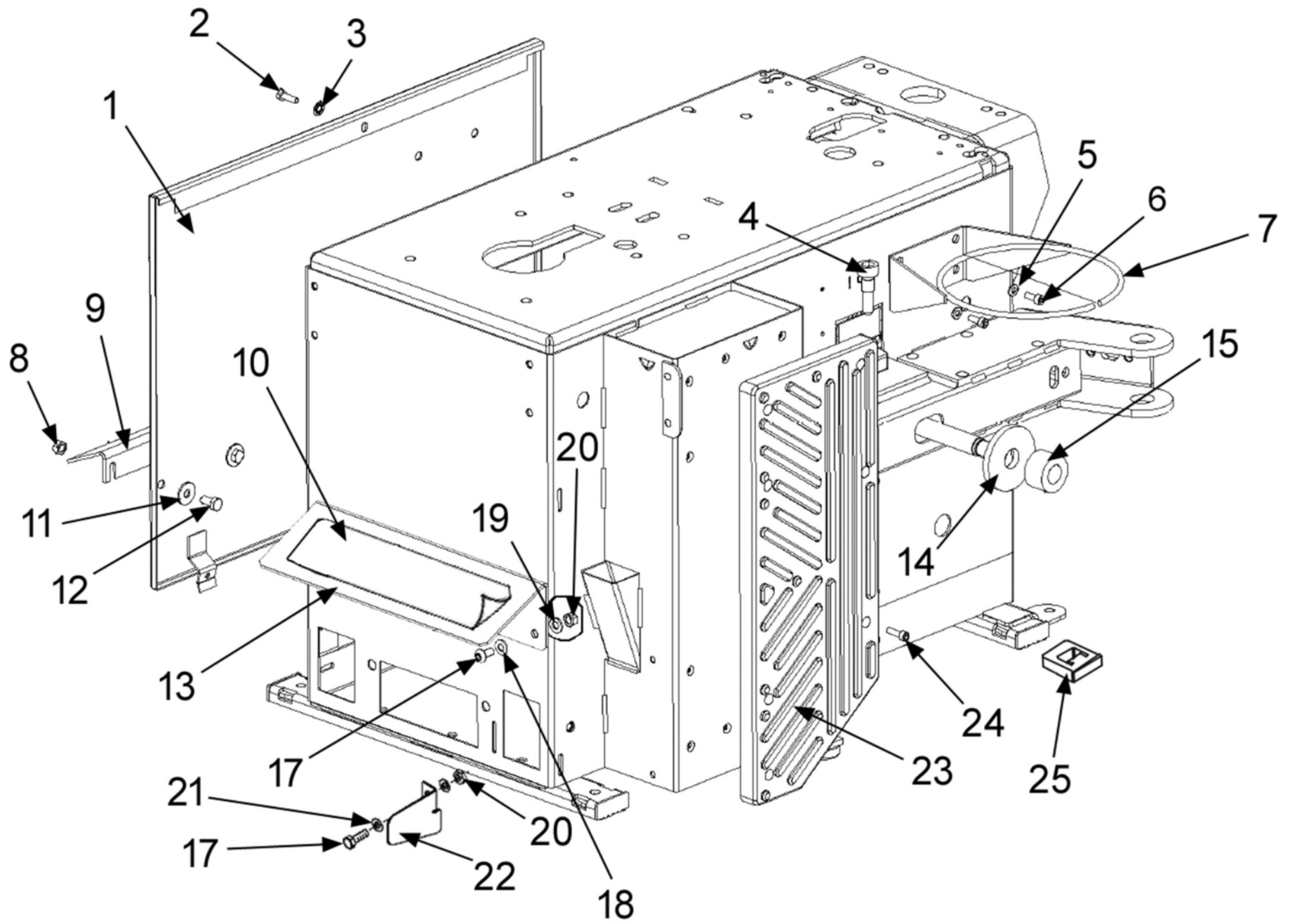
Spare Parts List

Produced from 2012 to present



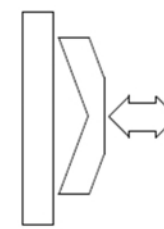
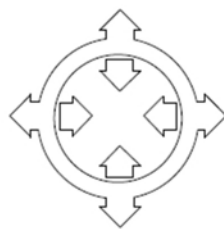
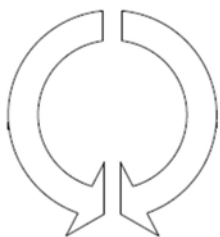
BOM Monty1620B Monty 1620

Part Number	Quantity	Description
EAA0270J29A	1	Tire Changer Assy - Monty 1620B
ZEEWH715B9	1	Lit Pack Hofmann Monty 1625
EAC0097G47A	1	Wave Tire Mounting Lever
EAC0113G61A	5	Rim Protector Plastic
EAC0078G13A	5	Back Plastic Rim Protector
5-14126A	1	Brush Tire Lube Applicator
4027094	1	Holder Lube Bottle
01267267000	1	Wire Dauber
00066006000	1	Bottle - Lube
8-03229A	1	Lubricant - Tire Mounting 75N
EAL0467G92A	1	Decal TC Lever Warning
EAL0408G12A	1	Label Patents
EAL0413G31A	1	Label Ground
EAC0100G55A	3	Label Sealing Hole
EAL0408G24A	1	Label Oil
EAL0383G34A	1	Label Danger
EAL0383G01A	1	Rotation Direction Label
EAL0467G25A	1	Decal Drain Water
EAL0413G34A	1	Label Inflator
EAL0412G13A	1	Stickers Pedal
EAL0383G32A	1	Label Danger
16511	1	Label - Danger
EAL0395G89A	2	Decal Hofmann
27087	1	Label - Monty 1620
EAL0383G10A	1	Label Hofmann
EAL0408G25A	1	Label Pressure Min Max

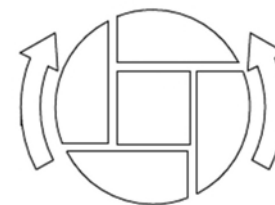
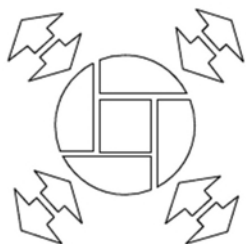


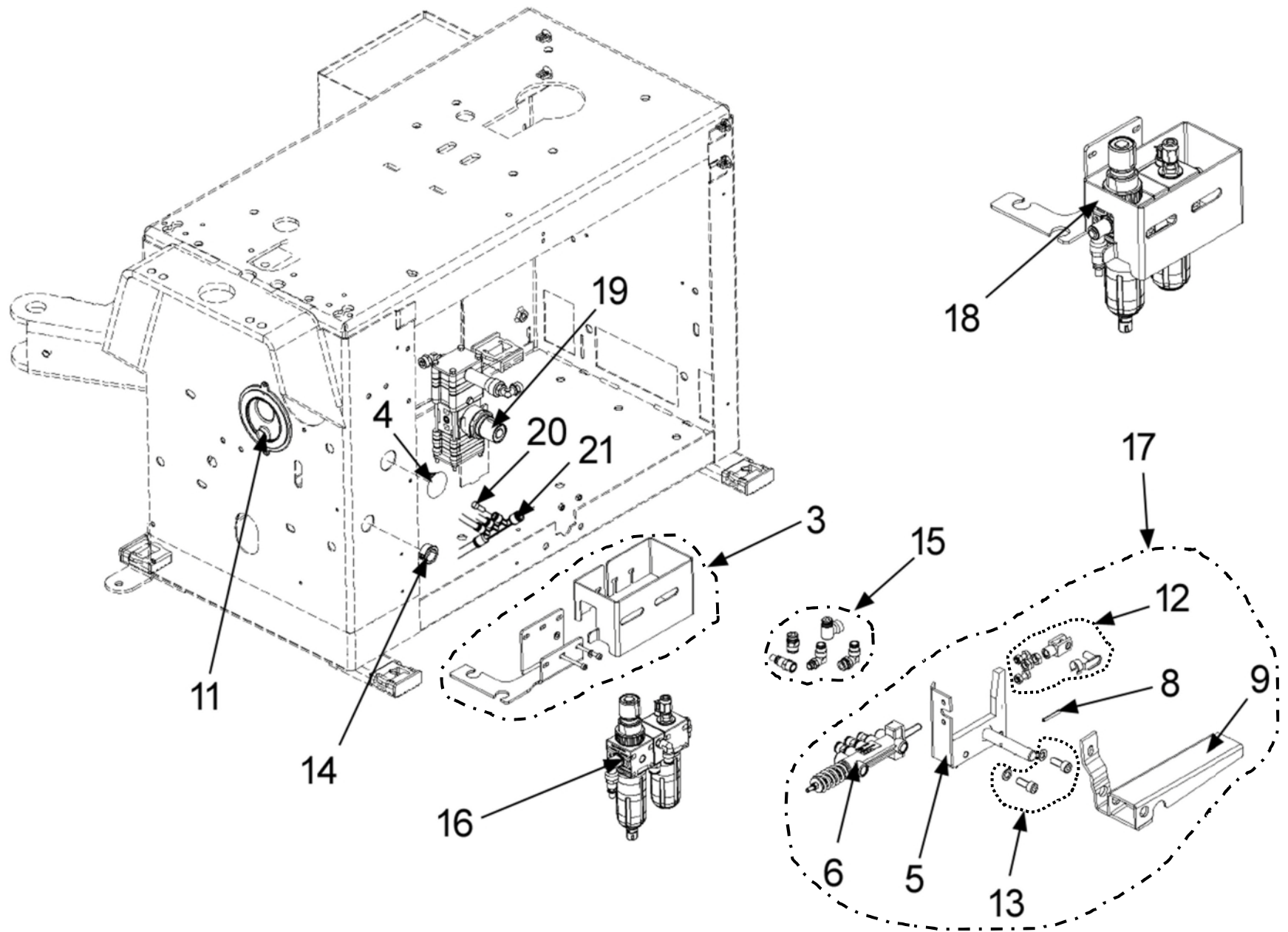
Ref	Qty	Part Number	Description	
1	1	EAS2029J62A	Black Side Panel	EAS2126G60A
2	1	1-30901A2	Screw 6 x 20 Hex Head	
3	1	1-1548	Washer - Lock D 6	
4	2	EAM0067G34A	Screw, Fitting - Cylinder B/Break	
5	2	1-9841	Washer, Plain D 6 Zinc.	
6	2	1-16309	Screw Hex Socket M6 x 16	
7	1	EAA0349G76A	Ring - Box, Grease	
8	2	1-15933A	Nut M8	1-11733
9	1	EAS2115G83A	Protector, Pedal	
11	2	1-17841	Washer - D 8 x 24	
12	2	1-32501A	Screw 8 x 16	
13	1	EAS2115G04A	Pedal Protection	EAC0114G09A
14	1	EAS2097G96A	Washer, Support - Bead Breaker	EAM0067G33A
15	1	EAC0097G51A	Washer - Shock Absorber	
17	3	1-32701	Screw - M8 x 25 mm Hex Head	
18	2	1-10041	Washer M8	
19	2	1-3048	Lock Washer	
20	3	1-15933A	Nut Hex M8 - 1.25 mm	
21	2	1-17741	Washer D 8	
22	1	EAS2100G95A	Pedal - Reverser Protection	
23	1	EAC0099G22A	Pad - Support, Bead Breaker	
24	7	1-16409A	Screw Tcei 6 x 20 Hex Drive	
25	4	EAC0097G52A	Foot Square	

Item # 10 - 27091 Pedal Sticker With Switch on Left side of Pedal Assembly



Item # 10 - EAL0412G13A Pedal Sticker With Switch on Right side of Pedal Assembly



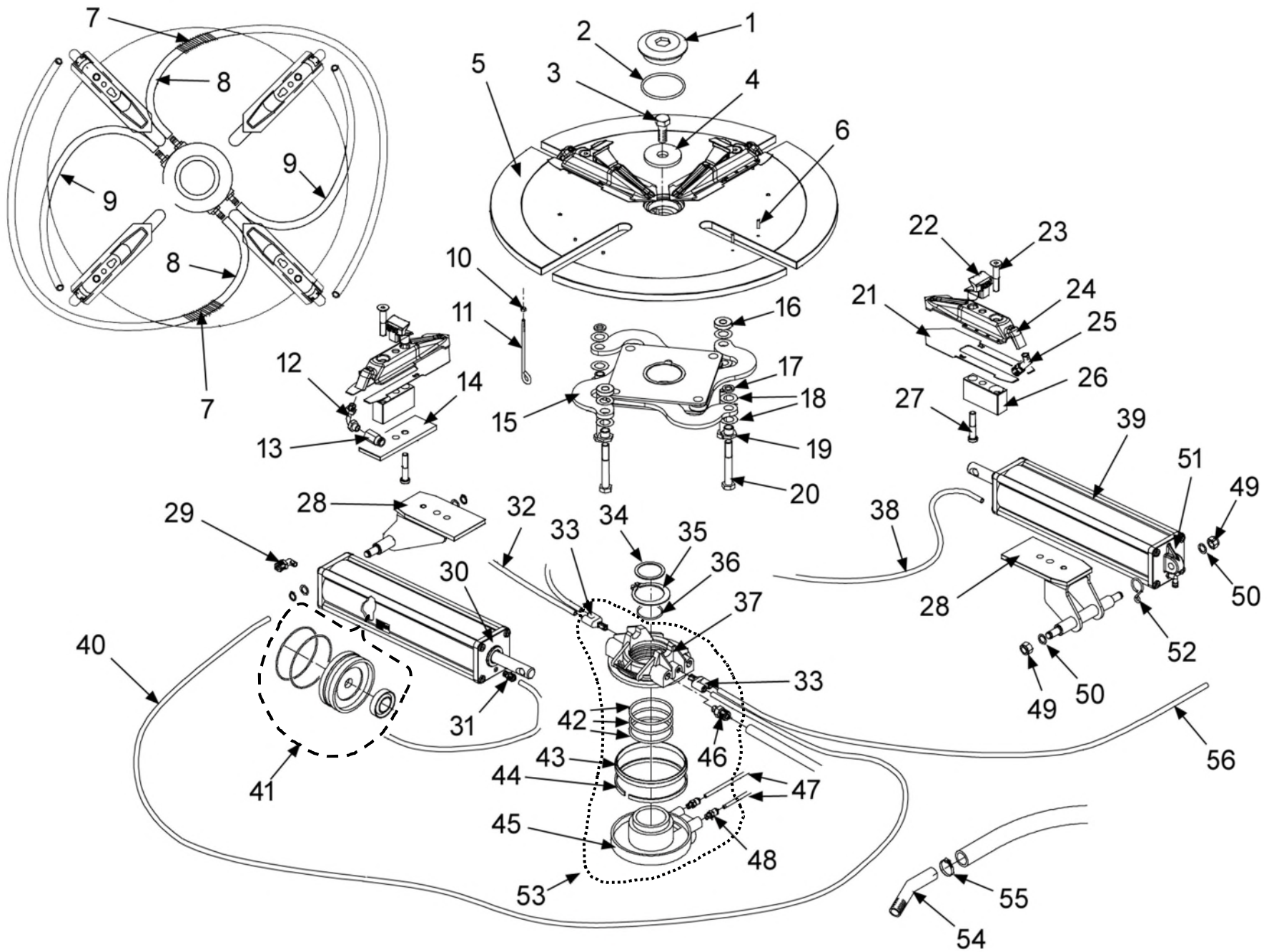


Ref	Qty	Part Number	Description	
3	1	EAK0330G49A	Na Lub. Filter Fixing Kit	
4	1	1-08676A	Cap, Closing	
5	1	EAS2134G52A	Gt Pedal Support	
6	1	ST4029115	Valve, Bead Inflating	EAA0329G75A
8	1	ST7023119	Pin - Straight Slotted 4 x 30	1-6652
9	1	ST4029114	Inflator Pedal Cataphor	EAS2068G87A
11	1	EAC0100G22A	Cable Protection	
12	1	EAK0306G32A	Screws And Bolts For Gt Valve	
13	1	EAK0306G33A	Screws And Bolts For Gt Pedal	
14	1	8-11616A	Snap Bushing	
15	1	EAK0315G99A	Fittings Kit For Filter	
16	1	EAA0439G90A	Filter - Press. Reg	
17	1	EAA0384G14A	Group, Bead Inflating Pedal	
18	1	EAA0489G30A	Lubricator Filter Group	
19	1	EAA0384G22A	Valve, Air Control	
20	1	1-09176A	Cap, Fitting D 6	
21	1	1-12379A	Multi - Tee 08-06	

Ref	Qty	Part Number	Description	
A	1	EAA0270J39A	TC Tower Air Offset Assy	
1	1	EAS2141J21A	Swing Column	EAS2169G73A
2	1	EAM0010J44A	Swing Arm	EAA0440G41A
3	1	EAM0122G32A	Rod - Vertical	
4	1	EAA0329G95A	Mounting / Demounting Tool	
5	1	EAM0032G02A	Washer - Tool Clamping	
6	1	1-44901A	Screw Hex 10 x 20 8G	1-34301A
7	1	4020113	Protection, Upper Tower	EAM0126G17A
8	1	EAM0140G92A	Cover For Hex Bar	
9	1	EAS2153G47A	Spring - Recall, Tower, Vertical	
10	1	1-17609A	Screw, 8 x 16 8.8 Uni 5931-67	
11	1	EAC0078G04A	Handle - Rubber	
12	1	EAS2108G36A	Lever, Register	
13	2	1-19633B	Nut - M10 6S Blk Uni 5589-65	
14	1	EAM0010J50A	Lever - Necking	EAS2153G46A
15	1	1-15933A	Nut M8 Din 936 - Uni 5589	
16	1	EAM0067G26A	Screw, Adjustment - Rod	
17	2	EAL0408G42A	Sticker Danger	
18	3	1-63709A	Screw Tbei 5 x 16 8.8	1-49709A
19	1	EAL0408G44A	Danger Label	
20	1	1-6452	Pin, Straight Slotted	
21	1	1-10341	Washer - D 14	
22	2	EAM0067G29A	Washer - Adjustment	
23	1	EAM0067G25A	Screw, Swing Arm Support	
24	2	1-10641	Washer	
25	1	1-21633A	Nut	
26	1	8-06120A	Manometer - Radial 0-16 D 40	
27	1	1-31381A	Valve, Asme Safety, 1/4" Bspt	
28	4	1-19409	Screw Tcei 10 x 40	
29	8	1-10141A1	Washer P D 10	
30	4	1-15433	Nut Selfclamping	7020879
31	1	EAA0332G46A	Assy, Gauge - Pressure Psi / Kpa	EAA0332G48A
32	1	EAA0351G06A	Assy, Valve - Pneumatic	EAA0351G03A

Ref	Qty	Part Number	Description	
33	mr	2072705	Hose, Air sold by the meter	27096
34	4	EAM0075G29A	Clip, Locking - Hose	
35	1	15658	Fitting, Rub. Holder 1" Long	
36	1	1-17279A	Fitting "L" 6 x 8 1/8	
37	1	1-17179A	Elbow Fitting "L" 4 x 6 1/4"	
38	1	1-29581A	Valve, Air - Controlled	
39	1	EAM0071G99A	Fitting, Support M1"- 20	
40	mr	2072705	Hose, Air sold by the meter	14121
41	1	EAS2141J20A	Column Support	EAS2169G72A
42	1	EAC0094G02A	Ring, Shock - Absorber	
43	1	EAA0270J79A	Handle With Screw	1-03512A
44	1	1-41880A	3/4" NPT to 3/4" Hose Barb	
45	1	EAC0078G13A	Back Plastic Rim Protection	
46	1	EAC0113G61A	Plastic Rim Protection	
47	1	EAM0043G53A	Pin M5 Hexagonal Socket	

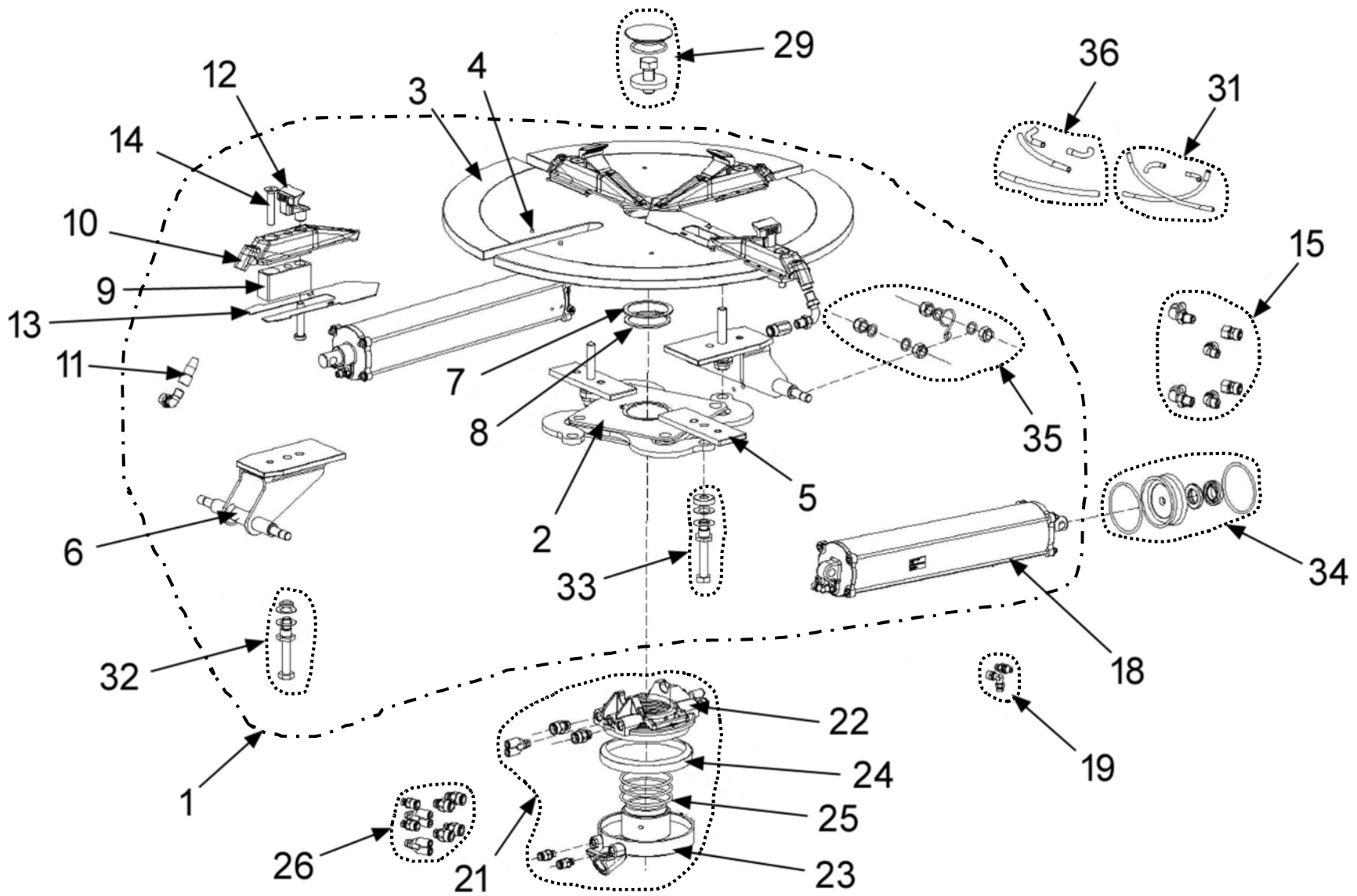
EAA0344G18A Turntable used from February 2012 (T52BFxxx) to October 2016 (T52KKxxx)



Ref	Qty	Part Number	Description	
1	1	EAC0087G47A	Protection - Turntable	
2	1	8-11714A	Gasket O-ring 46.4 x 3.53	
3	1	1-51101A	Screw 16 x 1.5 x 40	
4	1	EAS2092G32A	Washer	
5	1	EAS2100G09A	Turntable 20" Center	
6	8	1-22952A	Dowel Pin 4 x 10	
7	2	24926	Spring Protection, Air hoses	0024926
8	mr	2618002	Hose Air 8 x 10 mm (sold by the meter)	0022835
9	2	ST0026904	Pipe Spiral 6.5 x 10 mm	26904
10	4	ST7020412	Nut M6	7020412
11	4	EAM0051G90A	Support, Pipe GT	
12	2	EAM0051G83A	Pipe for Terminal GT	
13	2	1-14479A	Fitting, swift 8 x 10 1/4"	
14	2	EAM0053G12A	Plate Register Clamp	
15	1	EAA0351G73A	Clamp Actioning Plate	
16	2	EAM0053G09A	Sliding Rod Spacer	
17	2	1-25541A	Washer D 12 x 20 x 3	
18	4	EAM0051G74A	Shim Washer 30 x 17 x 0.3	
19	4	EAM0053G07A	Eccentric for Sliding Rod	
20	4	1-51301A	Hex Screw M12 x 85 mm	
21	4	EAS2096G35A	Guide Terminals, Center	
22	4	EAM0043G54A	Jaw for Turntable, Center Type V2	
23	4	1-25903A	Screw M10 x 55	
24	4	ST4029776	Bead Seater Clamp	EAS2096G39A
25	2	1-14379A	Fitting 90 Deg L 1/4" 8 x 10	
26	4	EAM0053G13A	Jaw Support	
27	4	1-54509A	Hex Screw M10 x 50 mm Low Profile	
28	2	EAA0377G80A	Bracket Cylinder	
29	2	ST0005140	Elbow Fitting 1/8" 4 x 6 mm (Push in lock)	1-10879A
30	2	0031384	Machined Front Flange	

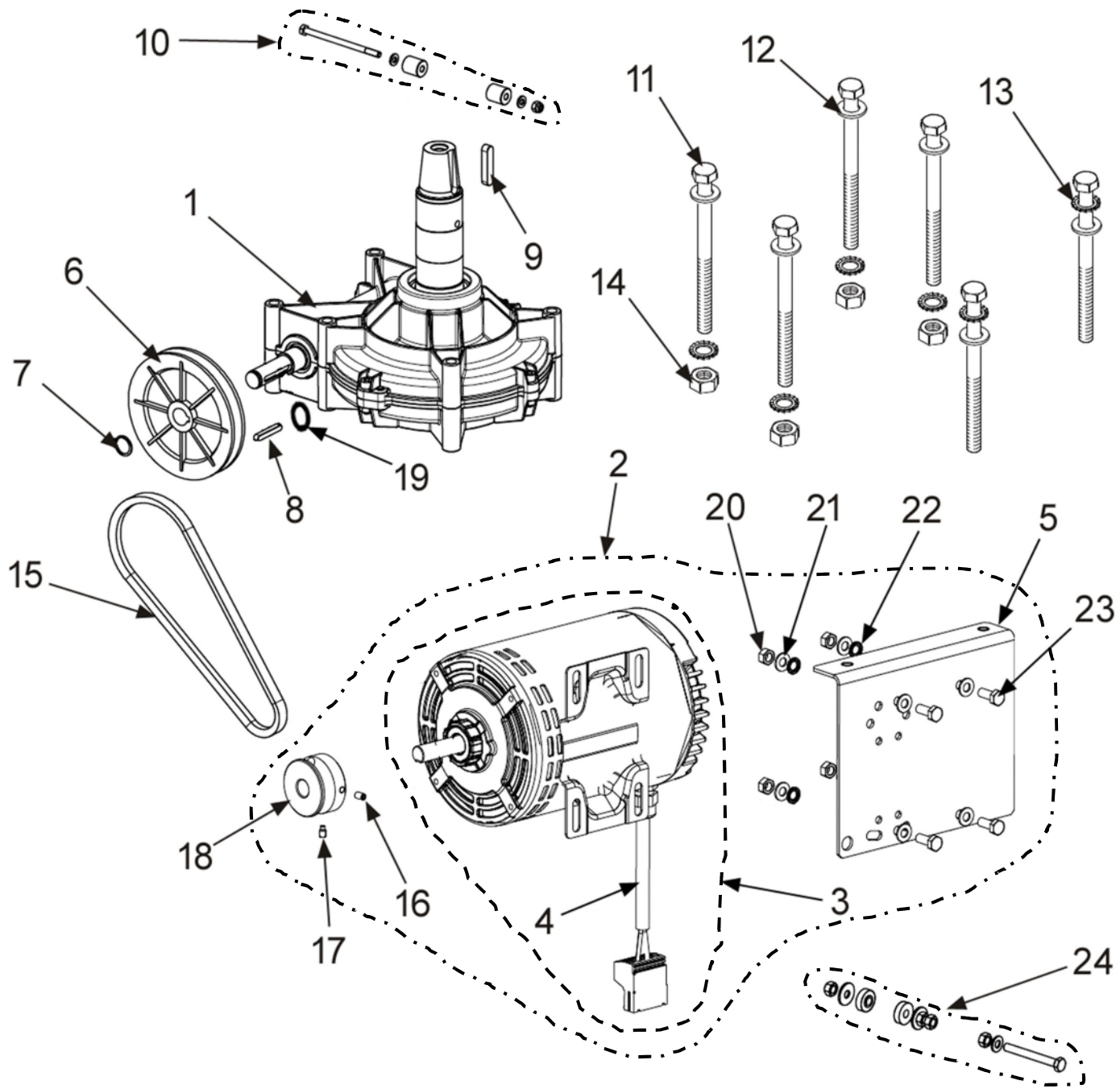
Ref	Qty	Part Number	Description	
31	2	ST0001923	Fitting Straight 4 x 6 mm 1/8"(Push in	1-11579A
32	mr	5-06435A	Hose 4 x 6 mm (sold by the meter)	EAM0069G99A
33	2	ST0019849	Y Fitting 4 x 6 mm 1/8"	1-13579A
34	1	EAM0051G85A	Support, Ring	
35	1	1-18677A	Ring - Stop D 60	
36	1	8-10714A	Seal O-Ring D 50	
37	1	ST4015870	Ring, Outer - Manifold	EAA0338G76A
38	mr	5-06435A	Hose - Air 4 x 6 mm (sold by the meter)	EAM0070G00A
39	2	ST4026768	Cylinder, Square Section	EAA0344G17A
40	mr	5-06435A	Hose 4 x 6 mm (sold by the meter)	EAM0070G01A
41	2	ST4027170	Seal Kit Cylinder D 75 mm	4027170
42	3	ST0013161	Seal O-Ring 69.44 x 3.53	8-10814A
43	1	EAC0087G50A	Seal Tubeless Inflator - Front	
44	1	ST0015617	Spring, Joint Sealing	EAA0338G77A
45	1	ST4013171	Ring - Inside, with Supports	EAA0338G27A
46	4	ST0022175	Fitting , Quick Hose	1-14679A
47	mr	5-06335A	Hose Air 6 x 8 mm (sold by the meter)	00025023
48	2	ST0001924	Fitting Straight 6 x 8 mm 1/8"	1-11379A
49	4	1-19933A	Lock Nut M12	
50	4	1-24641A	Washer D 12 x 18 x 1	
51	2	0031385	Rear Flange	
52	2	EAM0051G88A	Hook for Air - Hose	
53	1	EAA0304G69A	Revolving Manifold, Tubeless Inflator	
54	1	4019342	Hose, Connection - Rubber	
55	1	EAM0075G29A	Clip, Locking - Hose	
56	mr	5-06435A	Hose Air 4 x 6 mm (sold by the meter)	EAM0070G02A

Turntable used from November 2016 (T52LKxxx) to Present



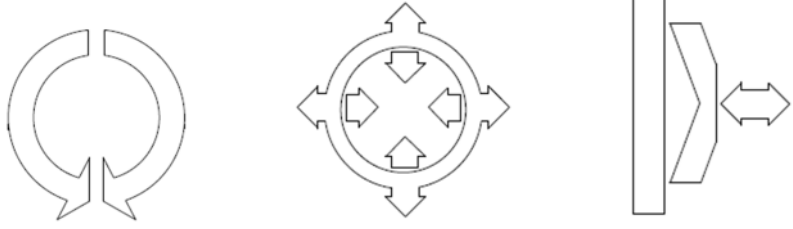
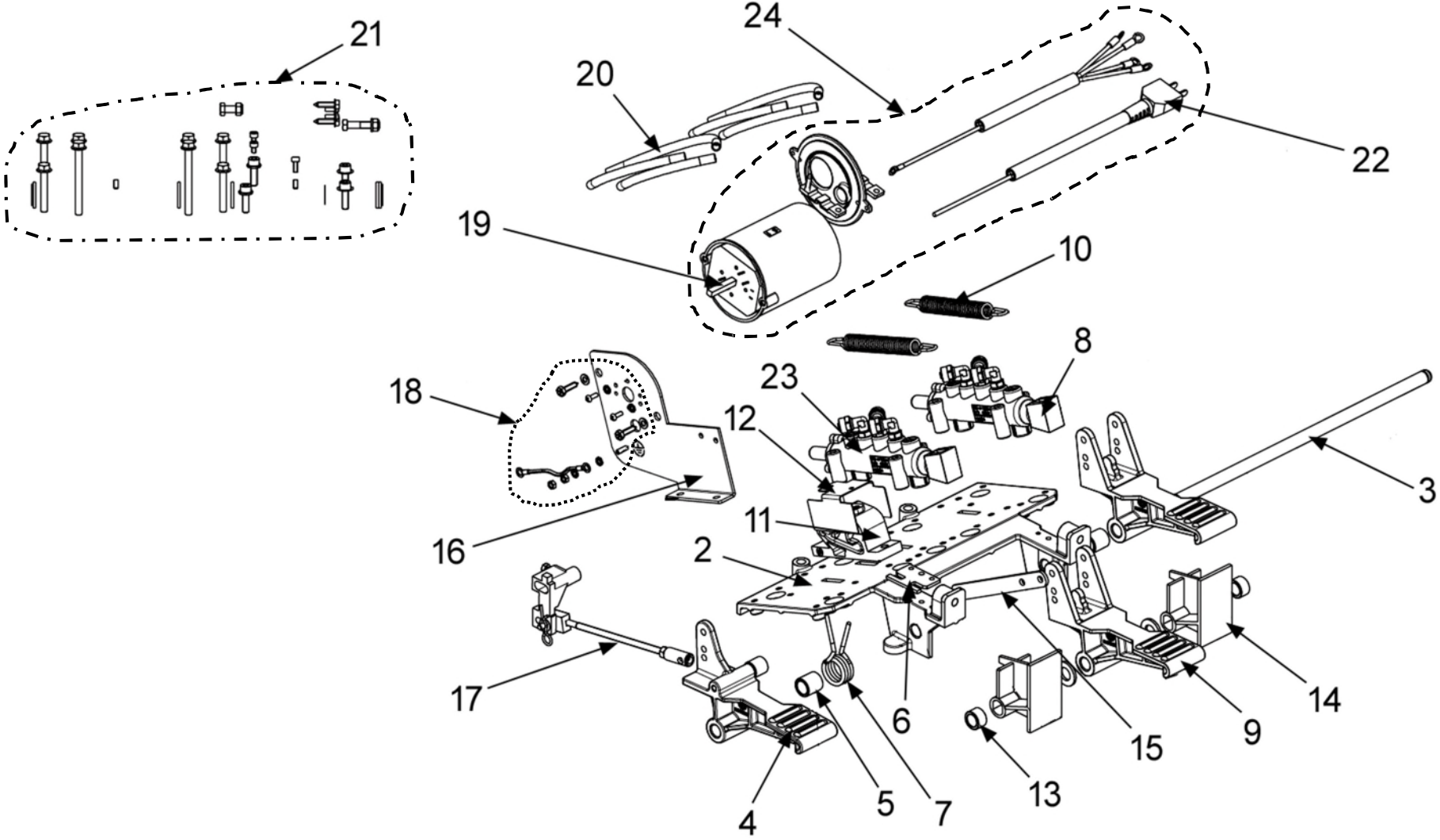
Ref	Qty	Part Number	Description	
1	1	EAA0410G40A	20" Turntable Center Type Gt	
2	1	EAA0351G73A	Clamping Plate	
3	1	EAS2100G09A	Tourntable 20" Center Table	
4	8	1-25952A	Pin Dowel 5 x 10 Uni En 28734	
5	2	EAM0053G12A	Plate	
6	2	EAA0377G80A	Bracket For Cylinders	
7	1	EAM0051G85A	Washer	
8	1	1-18677A	Ring - Stop D 60	
9	4	EAM0053G13A	Jaw Support	
10	1	EAS2153G91A	Zinc Plated Clamp, Sliding W/Centre 20"	
11	1	EAM0051G82A	Insert For Fitting	
12	4	EAM0043G54A	Jaw For Turn - Table, Center Type V2	
13	4	EAS2096G35A	Clamp Guide	
14	4	1-25903A	Screw M10 x 55 Cl.	
15	1	EAK0330G32A	Gt System Fittings Kit	
18	2	EAA0410G31A	Cylinder, Turntable	
19	1	EAK0330G35A	Tt Cylinder Fittings Kit	
21	1	EAA0304G69A	Revolving Manifold, Tubeless Inflator	
22	1	ST4015870	Ring, Outer - Manifold	EAA0338G76A
23	1	ST4013171	Ring - Inside, With Supports	EAA0338G27A
24	1	EAC0087G50A	Seal Tubeless Inflator - Front	
25	3	ST0013161	Seal Or D 69.44 x 3.53	8-10814A
26	1	EAK0330G28A	Revolving Manifold Fittings Kit	
29	1	EAK0306G25A	Turntable Fixing Kit	
31	1	EAK0317G08A	Hoses Kit For 24" Turntables	
32	2	EAK0317G19A	Screws And Bolts For Clamps	
33	2	EAK0317G20A	Screws And Bolts For Clamps	
34	2	EAK0317G36A	Turntable Cylinder Seals Kit	
35	1	EAK0306G27A	Screws And Bolts For Turntable Cyl.	
36	1	EAK0317G09A	Hoses Kit For Gt Nozzles	

From 08/2022 (T52HRxxx)

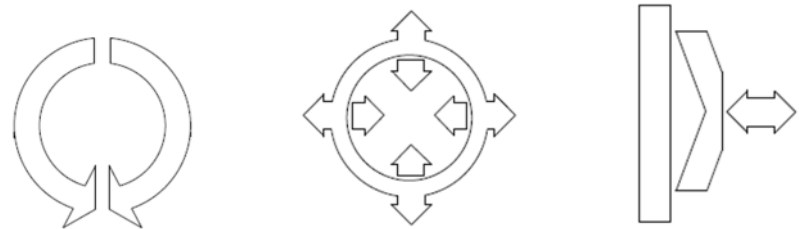
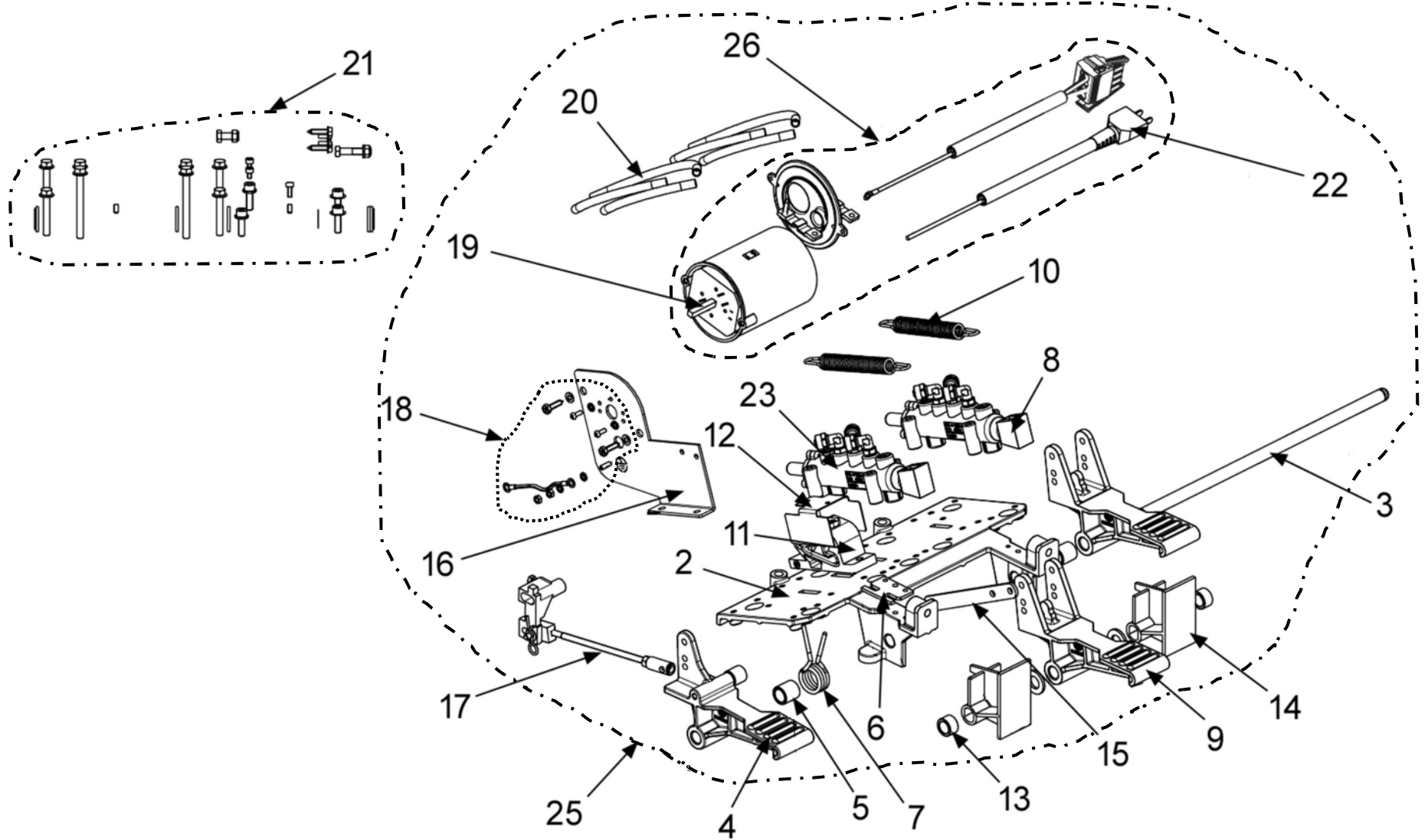


Ref	Qty	Part Number	Description	
1	1	EAA0382G23A	Gearbox	
2	1	EAA0534G65A	1PH 115V Right Motor Assembly	
3	1	EAA0534G62A	1 Phase US Motor & Cable Assembly	
If machine has a Leeson Motor (Made up to July 2022 T52GRxxx) then EAA0534G65A would need to be ordered which is the Nidec Motor, cable and plate.				
4	1	EAW0277G10A	115V Motor Cable	
5	1	EAS2131G28A	Support - Motor	
6	1	EAC0096G37A	Pulley 1 Groove	EAM0125G94A
7	1	1-18577A	Ring Snap Shaft D 19	
8	1	1-772	Key 6 x 6 x 40	
9	1	1-1572	Key 10 x 8 x 45	
10	1	EAK0279G67A	Antirotaion Kit	
11	6	1-50401A	Screw M10 x 160	
12	6	1-10141A1	Washer D 10	
13	6	13148	Washer M10 Ext Shakeproof	
14	4	1-15433	Nut M10	
15	1	EAC0078G58A	Belt V A26	
16	1	1-48910A	Screw STEI 6 x 10 - Plane 12K Br	
17	1	1-54210A	Set Screw M6 x 10 Hex Socket	
18	1	EAM0154G58A	Pulley DP=2" Hole D 5/8"	
19	1	1-24477A	Wave Washer 19 mm ID	
20	4	1-11733	Nut M8	
21	8	1-10041	Washer D 8	
22	4	1-3048	Washer Shakeproof D 8	
23	4	1-32601	Screw - HHCS 8 x 20	
24	1	EAK0279G66A	Belt Tightener Kit	

Pedal Assembly used from January 2012 (T52AFxxx) - September 2013 (T52JGxxx)

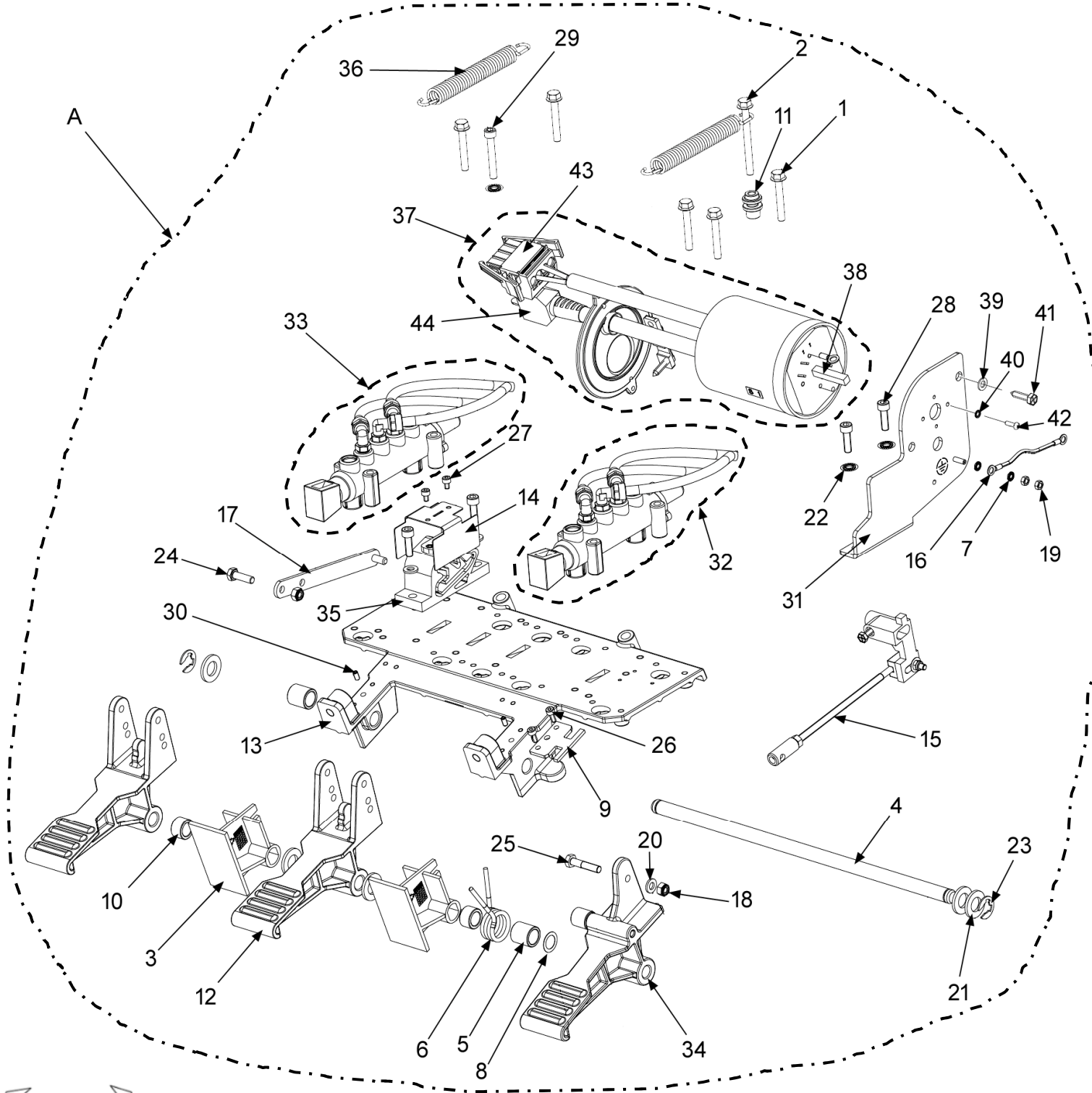


Pedal Assembly used from October 2013 (T52KGxxx) - March 2018 (T52CMxxx)



Ref	Qty	Part Number	Description	
2	1	EAM0068G80A	Pedal Asm Support - Machined	
3	1	EAM0068G10A	Shaft - Hinge Pedal	
4	1	EAA0356G93A	Left Switch Foot Pedal	
5	2	EAM0048G79A	Bushing Centering Spring	
6	1	EAM0070G32A	Commutator Spring Guide	
7	1	EAM0048G78A	Spring, Pedal Switch	
8	1	EAA0440G87A	Bead Breaker Valve and hoses	
	1	EAA0356G94A	Bead Breaker Valve	
	1	EAA0440G84A	Hose group	
9	2	EAM0068G95A	Standard Pedal Machined	
10	2	EAM0075G91A	Spring Recall Pedals	
11	1	EAC0103G56A	Cam Pedal	EAC0099G29A
12	1	EAS2115G09A	Protection Sheet For Cam	
13	2	EAM0070G46A	Spacer L=11 mm Centering Spring	
14	2	EAC0096G11A	Spacer - Pedal	
15	1	EAS2111G73A	Rod Positioner Pedal	
16	1	EAA0373G86A	Left Switch Support Asm	
17	1	EAA0347G61A	Rod, Register - Reversing Gear	
18	1	EAK0279G40A	Nuts / Bolts For Switch	
19	1	2-16759A	1 PH Rotary Switch	4030044
20	1	EAA0364G10A	Hoses Kit Foot Pedal Asm 3P	
21	1	EAK0279G39A	Nuts / Screws For Foot Pedal Asm	
22	1	EAW0276G32A	Cable with CSA Plug	ST0015571
23	1	EAA0440G88A	Turntable Valve and Hoses	
	1	EAA0356G94A	Turntable Valve	
	1	EAA0440G85A	Hose group	
24	1	ST4017395	Reversing Switch Monoph + Cab	
25	1	EAA0370G95A	Foot Pedal Asm 3P 1Ph 115V (US) L	
26	1	EAA0394G37A	Assy Reversing Switch 1 Ph US (L)	EAA0371G93A

Pedal Assembly used from April 2018 (T52DMxxx)

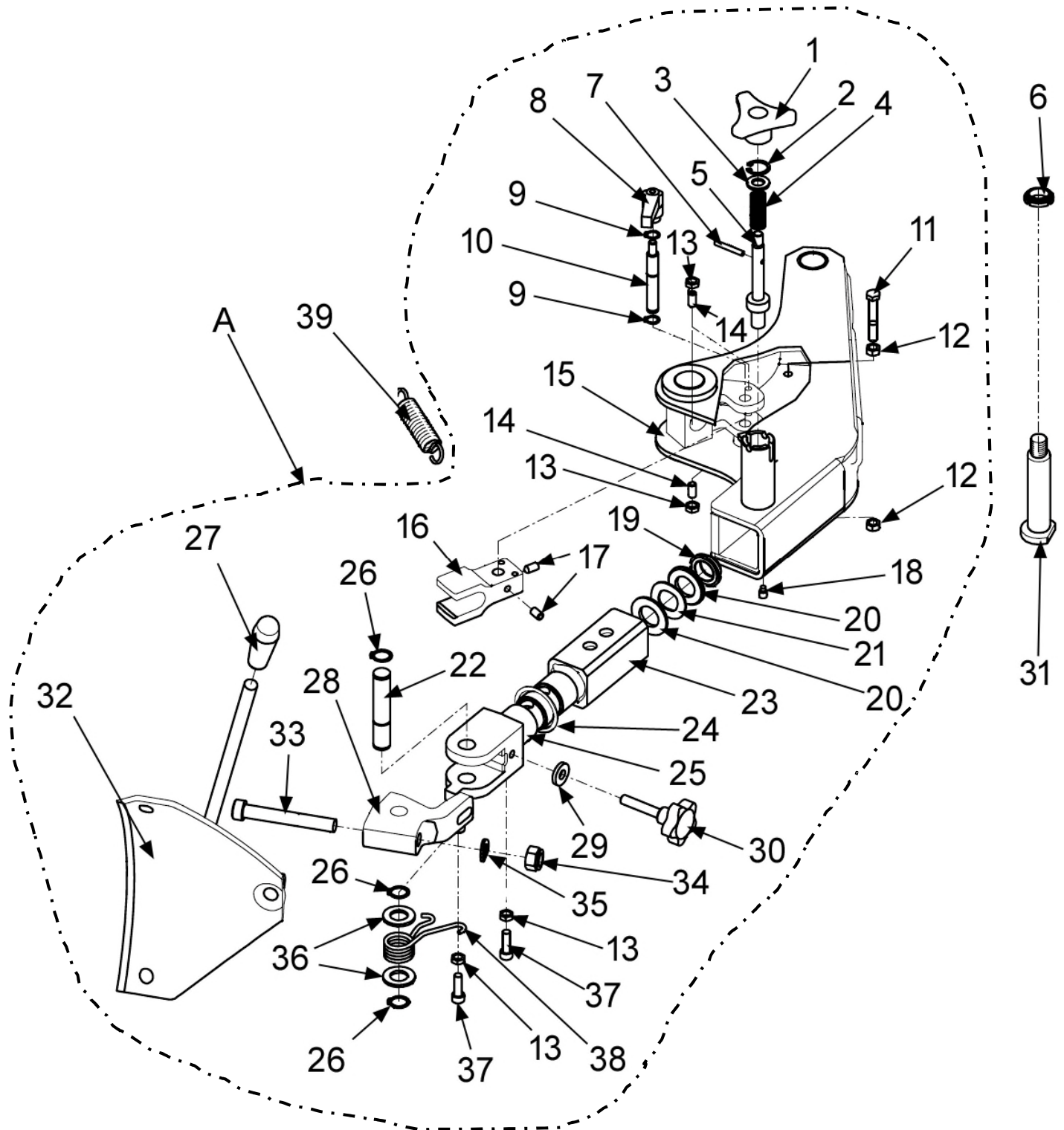


Ref	Qty	Part Number	Description
A	1	EAA0372G43A	Complete Pedal Assembly
1	5	1-12626A	Screw Hex Flange Head M6 x 40 mm
2	2	1-12726A	Screw Hex Flange Head M6 x 65 mm
3	2	EAC0096G11A	Spacer - Pedal
4	1	EAM0068G10A	Shaft - Hinge Pedal
5	2	EAM0048G79A	Bushing Centering Spring
6	1	EAM0048G78A	Spring, Pedal Switch
7	2	1-5547	Beveled Serrated Washer
8	1	1-25241A	Shim Ring 12.2 x 18 x 0.3 mm
9	1	EAM0070G32A	Commutator Spring Guide
10	2	EAM0070G46A	Spacer L=11 mm Centering Spring
11	2	EAC0099G82A	Spring Fixing Pawl
12	2	EAM0068G95A	Standard Pedal Machined
13	1	EAM0068G80A	Pedal Assembly Support - Machined
14	1	EAS2115G09A	Protection Sheet For Cam
15	1	EAA0347G61A	Rod Register Switch
16	1	EAA0357G73A	Cable, Earth
17	1	EAS2111G73A	Rod Positioner Pedal
18	2	1-9933	Nut, Prevailing Torque M6
19	2	1-15833A	Hex Nut M4 Brass
20	3	1-9841	Washer, Plain D 6 Zinc
21	5	1-10241A	Washer, Iso 7089 (Din 125.1)
22	3	1-1548	Washer, Ext. Shakeproof D 6
23	2	1-18477A	Retaining Ring 10 x 1.2 mm
24	1	1-14801A	Screw Hex Head Machine M6 x 20
25	1	1-50201A	Screw Hex Head Machine
26	2	1-13409	Screw Hex Socket Cap Head, M4 x 10
27	2	1-46809	Screw - Hshc M4 x 6
28	4	1-16409	Screw - Hex Socket Head Cap Din 912
29	1	1-56209A	Screw Hex Socket Head M6 x 40
30	2	1-38910	Screw M4 x 8 Set Cup Zp

Ref	Qty	Part Number	Description
31	1	EAA0394G62A	1S Switch Support Asm
32	1	EAA0440G87A	Bead Breaker Pedal Hoses With Valve
	1	EAA0356G94A	Bead Breaker Valve
	1	EAA0440G84A	Hose group
33	1	EAA0440G88A	Turntable Pedal Hoses With Valve
	1	EAA0356G94A	Turntable Valve
	1	EAA0440G85A	Hose group
34	1	EAA0536G27A	Right Switch Foot Pedal
35	1	EAC0103G56A	Foot Pedal Cam
36	2	EAM0147G64A	Spring Recall Pedals
37	1	EAA0394G36A	115V 1 Phase Switch Assembly US
38	1	2-16759A	1 Phase Rotary Switch 4030044
39	2	1-9741	Washer Plain D 5
40	2	1-1248	Washer Shake Proof M3
41	2	1-24223A	Screw Self-thread
42	2	1-27406A	Screw PHMS M3 x 10
43	1	EAW0277G09A	Pedal Switch Motor Cable
44	1	EAW0276G32A	Cable with CSA Plug

Bead Breaker Assembly EAA0344G08A

From February 2012 (T52BFxxx) to March 2018 (T52CMxxx)

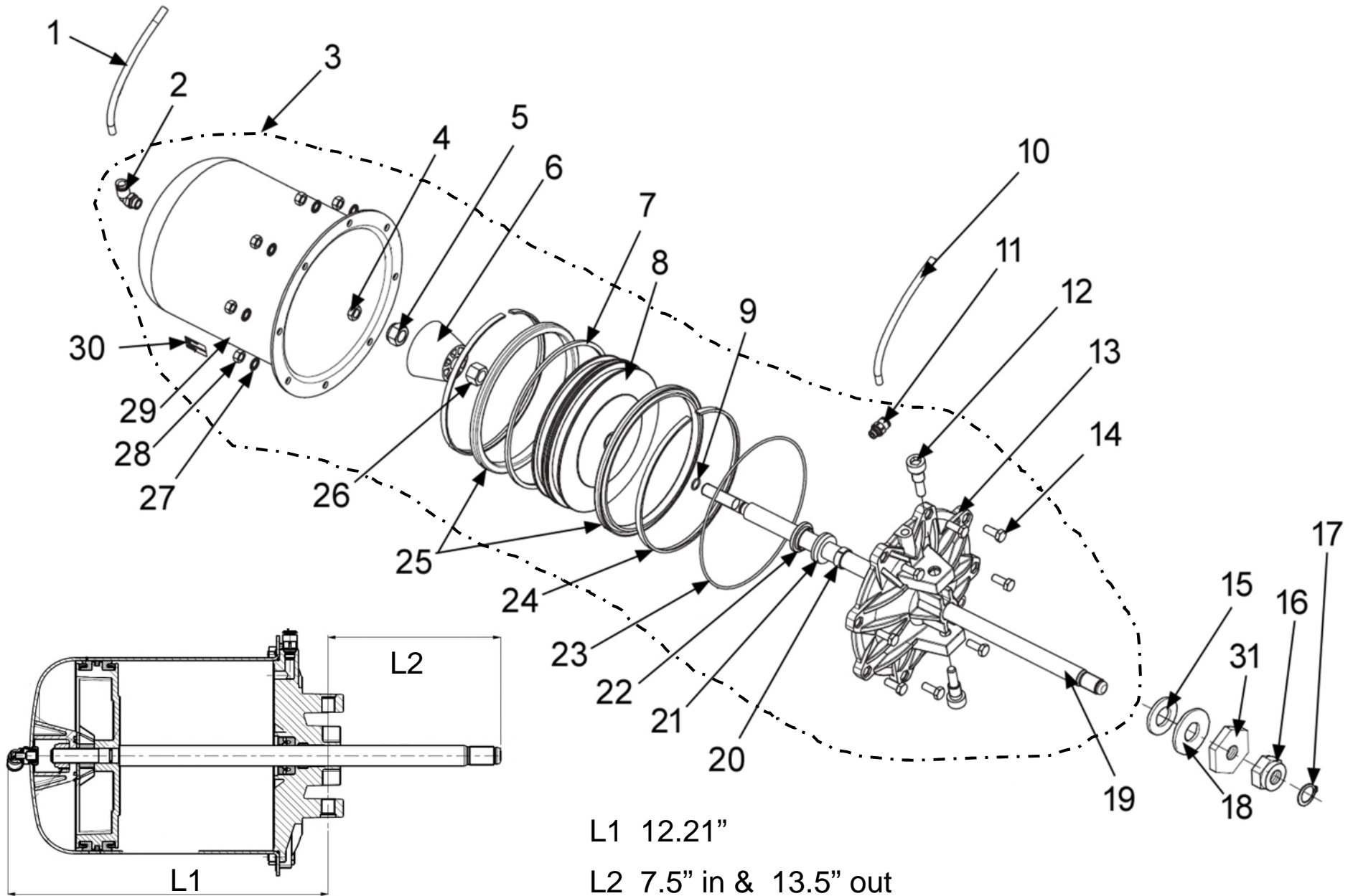


Ref	Qty	Part Number	Description
A	1	EAA0344G08A	Bead Breaker Arm Assembly
1	1	1-02112A	Three Armed Handwheel
2	1	ST7022269	Snap Ring D 24 1-19177A
3	1	1-10241A	Washer Piston D 12
4	1	ST0003523	Spring Handle, Bead EAM0052G37A
5	1	EAM0052G70A	Blade Positioning Pin
6	1	1-02138A	Ring Nut Metal
7	1	1-8552	Pins Straight Slotted
8	1	8-10933A	Adjustable Handles
9	2	1-3677	Snap Ring D 12 ST7022059
10	1	EAM0052G73A	Stopper Rod
11	1	1-19301	Hex Head Screw 8 x 55
12	2	1-11733	Nut M8
13	4	1-15933A	Nut M8
14	2	1-51810A	Locking Device with Ball
15	1	EAS2096G02A	Bead Breaker Arm
16	1	EAM0052G72A	Two Position Stopper
17	2	1-22210A	Screw 8 x 16
18	1	1-51710A	Screw 8 x 12
19	1	1-02338A	Ring Nut Metal Lock M25 x 1.5
20	1	1-25341A	Plane Washer D 25
21	1	1-06246A	Washer D 25
22	1	EAM0052G71A	Blade Rod
23	1	EAS2097G84A	Guide
24	1	EAM0052G76A	Plane Washer
25	1	EAM0052G69A	Worked Rod

Ref	Qty	Part Number	Description	
26	3	1-4177	Seeger D 18	
27	1	EAC0078G04A	Handle Rubber	
28	1	EAM0052G74A	Worked Floating Forged	
29	1	1-20741A	Plain Washer	
30	1	1-02312A	SCR Wing	
31	1	EAM0048G84A	Fulcrum Pin Bead Breaker	
32	1	ST4021305	Bead Breaker Blade	EAS2087G93A
33	1	1-30309A	Screw M8 x 50	
34	1	ST7020409	Nut - S Lock, Low - M14	1-10433
35	1	ST7021329	Washer D 14.2	1-06346A
36	2	1-10541	Washer D 18	
37	2	1-17809A	Screw 8 x 25	
38	1	EAM0052G75A	Torsional Spring	
39	1	EAM0067G69A	Spring - Recall Arm	0001229

Bead Breaker Cylinder

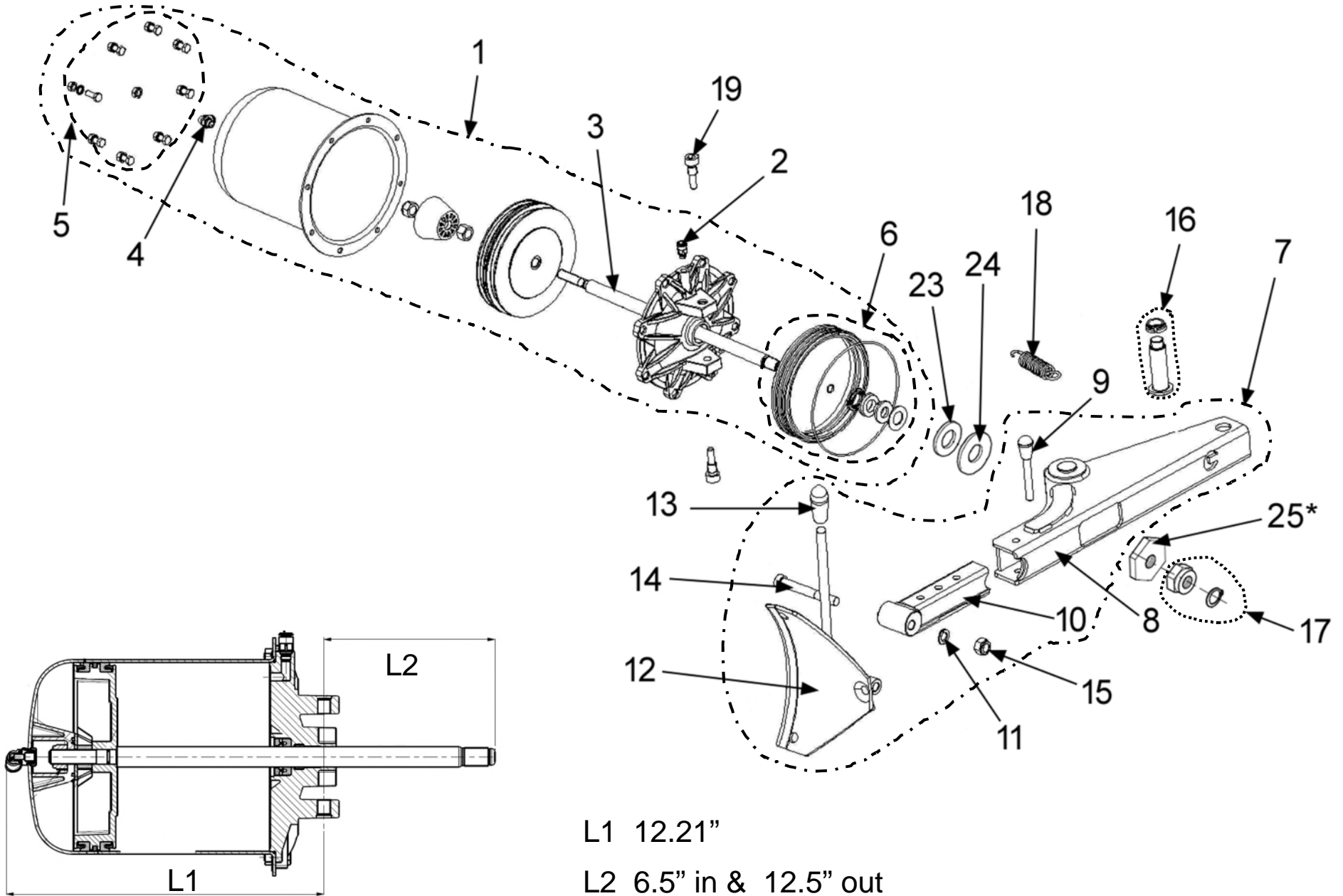
From February 2012 (T52BFxxx) to March 2018 (T52CMxxx)



Ref	Qty	Part Number	Description	
1	mr	5-06335a	Hose - Air 6 x 8 sold by the meter	EAM0069G97A
2	1	1-20179A	Fitting "L" 6 x 8	
3	1	EAA0329G51A	Cylinder, Bead Breaker	
4	1	1-16433A	Nut 1/4" x 0.25"	
5	1	ST7020409	Nut - S Lock, Low - M14	1-10433
6	1	EAM0048G04A	Limit Switch Rubber Pad	
7	1	ST0010597	Ring - Plastic	EAC0078G35A
8	1	ST0009279	Piston	EAC0094G40A
9	1	8-18314A	Seal - O-Ring D 11	
10	mr	5-06635A	Hose - Air 6 x 8 sold by the meter	EAM0069G97A
11	1	ST0001924	Fitting - St 6 x 8 1/8	1-11379A
12	1	EAM0067G34A	Screw, Fitting - Cylinder B/Break	
13	1	ST0013409	End Cap - Cylinder / Bead Breaker	EAC0078G36A
14	8	1-32601	Screw Te 8 x 20 8.8	
15	1	EAM0075G25A	Washer, Felt	
16	1	1-20933A	Nut (Lock) M18 x 1.5	
17	1	1-3977	Retaining Ring For Shafts D 16	
18	1	EAM0075G26A	Washer, Black Plastic	
19	1	EAM0048G06A	Rod Bead - Breaker Cylinder	
20	1	ST0024686	Ring For Rod Guide D 20	EAC0078G18A
21	1	ST0001683	Seal, Lip ID 20 OD 36 Th. 8 On Shaft	8-09614
22	1	ST0001684	Retainer - Seal D 20	EAC0078G10A
23	1	8-10014A	O-Ring ID 183.82 x 2.62	
24	2	ST0001470	Ring - Piston, Bead Breaker	EAC0078G34A
25	2	ST0001415	Seal - Lip N D 184	8-10114A
26	1	1-20433A1	Nut - Lock M14 6S White Zinc	
27	8	1-1748	Washer Shakeproof D 8	
28	8	1-15933A	Nut - Hex M8 - 1.25 mm	1-11733
29	1	EAS2068G62A	Cylinder Chamber	
30	1	EAL0383G03A	Plate Cylinder D.E.	
31	1	EAM0067G74A	Hex Washer Thread M18 x 1.5	
NS	1	EAK0306G19A	Cylinder Seal Kit includes items #9, 15, 18, 20, 21, 22, 23, 24, 25	

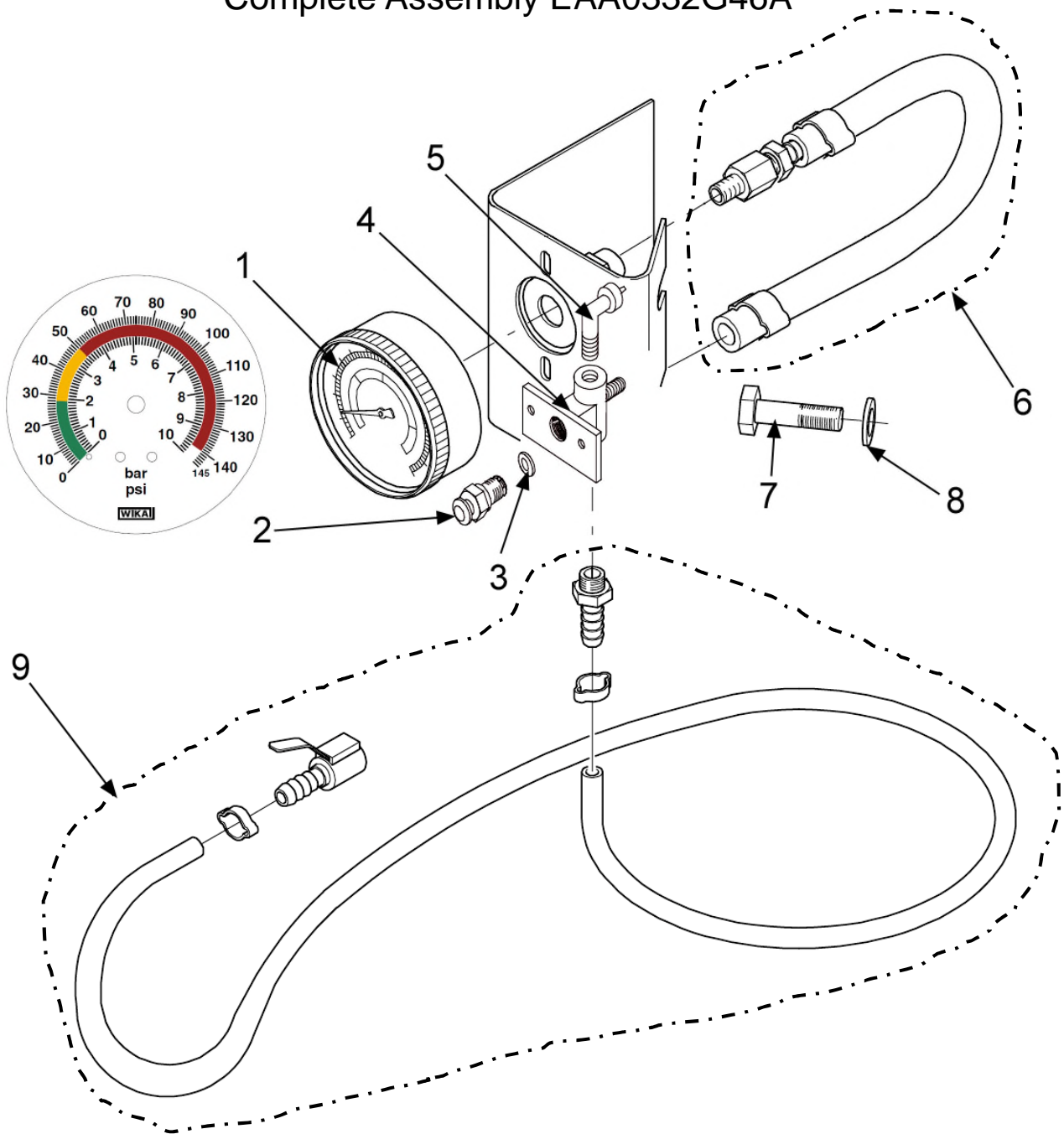
Bead Breaker Assembly

From April 2018 (T52DMxxx) to Present



Ref	Qty	Part Number	Description	
1	1	EAA0329G49A	Tc 22" Bead Breaker Cylinder	EAA0377G31A
2	1	ST0001924	Fitting - St 6 x 8 1/8	1-11379A
3	1	EAM0048G07A	Rod Bead - Breaker Cylinder	EAM0085G80A
4	1	1-20179A	Fitting "L" 6 x 8	
5	1	EAK0306G16A	Screws And Bolts For Bead Breaker	
6	1	EAK0306G19A	Seals For Bead Breaker Cyl.	
7	1	EAA0338G44A	Complete Bead Breaker Arm	
8	1	ST4025385	Arm Support, Bead-Breaker Support	EAS2108G27A
9	1	EAA0328G72A	Pin - Lock	
10	1	ST4022408	Extension - Arm, B/Breaker	EAS2087G90A
11	2	ST7021329	Washer 14 mm	1-5246
12	1	ST4021305	Blade, Beadbreaker	EAS2087G93A
13	1	EAC0078G04A	Handle - Rubber	
14	1	1-22609	Screw Tcei M14 x 110 8.8	
15	1	ST7020409	Nut - S Lock, Low - M14	1-10433
16	1	EAK0306G20A	Fulcrum Kit For Bead Breaker Arm	
	1	1-02138A	Ring Nut Metal S Lock M20	
	1	EAM0086G16A	Bead Breaker Arm Pin	
17	1	EAK0306G23A	Fixing Kit For Bead Breaker Arm	
	1	1-20933A	Nut (Lock) M18 x 1.5	
	1	1-3977	Retaining ring for Shafts D 16	
18	1	EAM0067G69A	Spring - Recall Arm, Bead Breaker	
19	2	EAM0067G34A	Screw, Fitting - Cylinder B/Break	
23	1	EAM0075G25A	Washer, Felt	
24	1	EAM0075G26A	Washer, Black Plastic	
25*	1	EAM0067G74A	Hex Washer Thread M18 x 1.5	
*Note Used up to Dec 2023 (T52MSxxx)				

Complete Assembly EAA0332G46A



Ref	Qty	Part Number	Description
1	1	8-06820A	Gauge - Air BAR / PSI
2	1	EAA0328G57A	Bleeder Valve
3	1	EAM0043G64A	Washer, Bleeder Valve
4	1	EAC0078G59A	Body Bleeder Valve
5	1	1-11479A	Fitting - L 6 x 8 1/8
6	1	EAH0049G12A	Hose - Gauge Fitting
7	2	1-32501A	Screw 8 x 16
8	2	1-10041	Washer D 8



Notice: The information contained in this document is subject to change without notice. Hofmann makes no warranty with regard to this material. Hofmann shall not be liable for errors contained herein or for incidental consequential damages in connection with furnishings, performance, or use of this material.

309 Exchange Ave
Conway, AR 72032
501-450-1500

Monty 1620 Spare Parts List

Monty1620B_TS

DSS

12/2024